


Daisy 599

OWNERS MANUAL

IMPORTANT – READ MANUAL BEFORE USING YOUR RIFLE FOR THE FIRST TIME.

Use .177 (4.5mm) Lead Airgun Pellet 

⚠ WARNING: NOT A TOY. THESE AIRGUNS ARE DESIGNED FOR USE BY EXPERIENCED SHOOTERS AND ARE INTENDED FOR MATCH COMPETITION OR TARGET RANGE USE. MISUSE OR CARELESS USE MAY RESULT IN SERIOUS INJURY OR DEATH. MAY BE DANGEROUS WITHIN 300 YARDS (275 METERS). THIS IS A SPECIAL CLASS OF NON-POWDERED GUN AND NOT FOR GENERAL USE. IT IS TO BE USED FOR TRAINING AND TARGET SHOOTING UNDER SUPERVISION. RECOMMENDED FOR USE BY THOSE 16 YEARS OF AGE OR OLDER. THIS GUN SHOOTS PELLETS ONLY. THE PURCHASER AND USER SHOULD CONFORM TO ALL LAWS GOVERNING THE USE AND OWNERSHIP OF AIRGUNS.

⚠ WARNING: DO NOT BRANDISH OR DISPLAY THIS AIRGUN IN PUBLIC. IT MAY CONFUSE PEOPLE AND MAY BE A CRIME. POLICE AND OTHERS MAY THINK THIS AIRGUN IS A FIREARM. DO NOT CHANGE THE COLORATION AND MARKING TO MAKE IT LOOK MORE LIKE A FIREARM. THAT IS DANGEROUS AND MAY BE A CRIME.

⚠ WARNING: EVEN IF YOU FIRED THE AIRGUN ONE OR MORE TIMES AND NO PELLET IS EXPELLED, IT DOES NOT MEAN THAT THE GUN IS EMPTY OF PELLETS. CONTINUE TO TREAT THE AIRGUN AS IF IT IS LOADED.

⚠ WARNING: THIS GUN CAN CAUSE SERIOUS INJURY OR DEATH. READ AND FOLLOW THE INSTRUCTIONS CAREFULLY. DO NOT LOAD A PELLET INTO THE GUN UNTIL YOU ARE READY TO SHOOT. IF YOU DO LOAD A PELLET AND THEN DECIDE NOT TO SHOOT, REMOVE IT EITHER MANUALLY OR BY SHOOTING THE GUN AT A SAFE TARGET. AN UNLOADED, UNCOCKED GUN IS SAFEST. ACCIDENTS HAPPEN FAST, AND ACCIDENTALLY INJURING OR KILLING SOMEONE IS A TERRIBLE THING. PLEASE SHOOT SAFELY.

⚠ WARNING THIS PRODUCT CAN EXPOSE YOU TO LEAD, WHICH IS KNOWN TO THE STATE OF CALIFORNIA TO CAUSE CANCER AND BIRTH DEFECTS OR OTHER REPRODUCTIVE HARM. FOR MORE INFORMATION GO TO www.p65warnings.ca.gov.

⚠ AVERTISSEMENT CE PRODUIT PEUT VOUS EXPOSER AU PLOMB, CE QUI CONNÂIT, DANS L'ÉTAT DE LA CALIFORNIE, DE CAUSER LE CANCER, DES DÉFAUTS DE NAISSANCE OU D'AUTRES DOMMAGES GÉNÉRAUX. POUR PLUS D'INFORMATIONS, VISITEZ www.p65warnings.ca.gov.

⚠ ADVERTENCIA ESTE PRODUCTO PUEDE EXPONERLO AL CONTACTO CON PLOMO, RECONOCIDO POR EL ESTADO DE CALIFORNIA COMO CAUSANTE DE CÁNCER, MALFORMACIONES CONGÉNITAS U OTROS DAÑOS REPRODUCTIVOS. PARA MÁS INFORMACIÓN VISITE www.p65warnings.ca.gov.

1-Key Features



2-Operating the Safety

The Model 599 features a sliding Safety located on the left side of the gun. The Safety is clearly marked "S" for Safe and "F" for Fire. Push the slide to the "S" for Safe, and "F" for Fire.

Even when the Safety slide is in the "Safe" position, handle the gun as if it was loaded— always treat every gun as if it was ready to fire. Like all mechanical devices, a mechanical safety can fail. Never point the gun at anything you do not intend to shoot.

To take the gun off "SAFE," push the safety slide to the "F" position. When the mechanical safety is in the "F" position, it is ready to shoot after following the instructions in this manual on how to fill and load the Daisy Model 599.

3-Pressurizing the Model 599

The Model 599 can be filled from a high-pressure tank or bottle – SCUBA tanks and other high-pressure tanks can be used. Make sure only clean, dry compressed air is used.

Wear eye protection.

Make sure the gun is unloaded and uncocked, and that the safety is in the "S" safe position.

Keep the barrel pointed in a safe direction during the entire filling process. Remove the protective cap surrounding the pressure gauge to expose the fill port on the Model 599.

Connect the fill probe to your high pressure fill line.

Inspect the o-rings on the fill probe and ensure they are not torn, gouged, or damaged. Replace if needed. Apply a light coating of 100% silicone grease on the fill probe o-rings.

Insert the fill probe into the guns fill port.

Ensure all bleed screws are closed snug.

Slowly open the valve on your fill tank. Always fill slowly to minimize tank expansion and resulting heat.

Do not overfill. MAX FILL PRESSURE: 232 BAR / 3365 PSI

Turn off the valve on the tank to stop the flow of air. Open the bleed valve to depressurize the line.

Remove the fill probe from the gun. Replace the cap over the fill port.

NOTE – It is recommended to store the rifle with a small amount of compressed air to ensure pressure is kept on the seals.

Overfilling will affect your gun's performance. If you overfill the gun, try to dry fire the gun with no pellet in the chamber in a SAFE MANNER AND DIRECTION. Repeat until the airgun pressure drops to the MAX FILL PRESSURE: 232 BAR / 3365 PSI

If the gun will not discharge air with each shot, the valve may be completely pressure-locked and will require manual depressurization of the cylinder. The Cylinder must be removed (section 6 below) and the valve manually depressed to allow pressure to escape the cylinder.

Daisy Outdoor Products, P.O. Box 220, Rogers, Arkansas, 72757-0220

Daisy Outdoor Products, reserve the right to alter the designs or any constructional details of any product at any time without prior notice.

For the most up to date information on Daisy Outdoor Products view our website at www.daisy.com

4-Cocking and Loading the Model 599

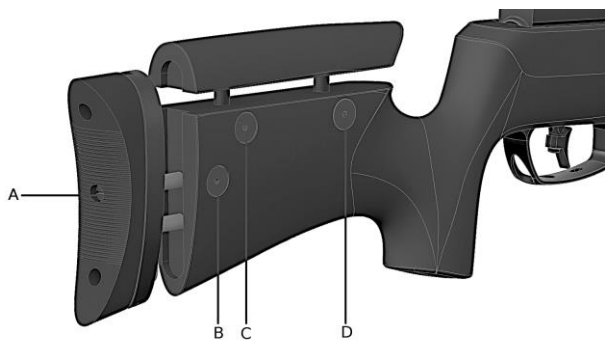
1. Put the gun on Safe.
2. Point the barrel in a safe direction.
3. Open the bolt by pulling the T handle all the way back.
4. When the bolt is in the rearward position, place one pellet nose-first into the breech.
5. Lightly push the pellet into the barrel by pushing the T handle all the way forward until it locks into position. **DO NOT FORCE THE T HANDLE.**
6. Be sure the bolt is completely closed and locked before firing your Model 599.
7. To uncock your Model 599, move the safety to the "F" Fire position and keep the barrel pointed in a safe direction. Open the bolt and pull all the way to the rear.
8. Holding the bolt securely and all the way to the back, pull the trigger with your other hand and ease the bolt forward.
9. Place the safety back into the "S" Safe position.



5-Adjusting the Stock

The Daisy Model 599's butt pad & comb are adjustable both with vertical movement and length of pull. Both can be adjusted to suit your individual preference. This can be done with a 3mm hex key.

- 1. Length of Pull.** To adjust the length of pull on the rifle, loosen screw B and slide the butt pad to the desired position. Tighten screw after adjustment.
- 2. Comb Height.** To adjust comb height, loosen screws C and D and adjust comb to desired height. Tighten screw after adjustment.
- 3. Butt-Pad Height.** To adjust the butt pad height, loosen screw A and slide butt pad into desired position. Tighten screw after adjustment.



6-Removable Cylinder

The Daisy 599 is equipped with a cylinder that can be removed regardless of cylinder pressure. To remove the cylinder, unscrew by turning counter-clockwise, then slide the cylinder from the stock. Take care not to press the exhaust valve as this may lead to cylinder decompression. Refitting is in the reverse order. Take care not to overtighten cylinder as this may make it difficult to remove at a later date.

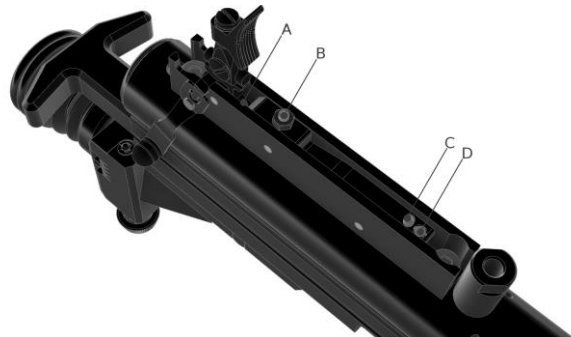
DO NOT FIRE THE RIFLE WITHOUT THE CYLINDER ATTACHED AS THIS MAY PERMANENTLY DAMAGE THE RIFLE.

7-Trigger Adjustments

The trigger is set at the factory, but some aspects can be adjusted to suit individual preferences.

Before adjusting the trigger, check that there is not a pellet in the chamber. Ensure the safety is in the "S" Safe position.

The trigger can be adjusted with or without removing the stock. Adjustments may be made easier with the stock removed. To remove the stock assembly, remove the cylinder as below (section 6), use the appropriate Torx and hex drivers to remove the rear trigger guard screw and forend stock screw.



- 1. First-Stage Trigger Pull.** Screw A adjusts the length of the first-stage trigger pull. To reduce the length of pull, turn the screw clockwise. Turn the screw counter-clockwise to increase the length of pull.
- 2. Sear Engagement.** Screw B determines the length of the second-stage release. To increase sear engagement on the latch pin, turn the screw counter-clockwise. To decrease the sear engagement, turn screw B clockwise.

WARNING – Great care should be taken when adjusting this screw as over-adjusting may leave the rifle in a condition that allows it to discharge unintentionally. If in doubt, consult a qualified gunsmith.

- 3. Second-Stage Trigger Weight.** Screw C adjusts the weight of the second stage. To increase second stage weight, turn the screw clockwise. To reduce the weight, turn the screw counter-clockwise.

- 4. Second-Stage Overtravel.** Screw D adjusts the overtravel of the second stage. To lessen overtravel, turn the screw clockwise. To increase the second stage overtravel, turn the screw counter-clockwise.

WARNING – DO NOT ATTEMPT TO REPAIR THIS AIRGUN OR DISASSEMBLE. INTERNAL PARTS MAY BE UNDER INTENSE PRESSURE AND MAY LAUNCH FROM THE GUN AT DANGEROUS SPEEDS.

8-Care and Maintenance

After shooting, make sure gun is unloaded and the safety is in the "S" Safe position.

Wipe metal and woodwork surfaces with a lightly oiled cloth. Pay special attention to metal finishes that may not be fully rustproof and vulnerable to moisture, especially perspiration.

Application of oil and grease, except as directed by the manufacturer, can often do more harm than good.

All airguns require periodic maintenance and inspection. Please seek out a competent gunsmith to perform these duties.

Have the power of the rifle tested after maintenance or repair.

The Model 599's air reservoir must be kept in good condition. If dented, exposed to extreme temperatures, or shows rust, the gun must be inspected by the manufacturer or an appointed agent. Proper inspection must be done at least every three years.